

VC.253 | Shortened lobe knobs

Duroplast

METRIC

RoHS

PF

+230 °F
-4 °F

MATERIAL

Phenolic based (PF) Duroplast, black colour, glossy finish.

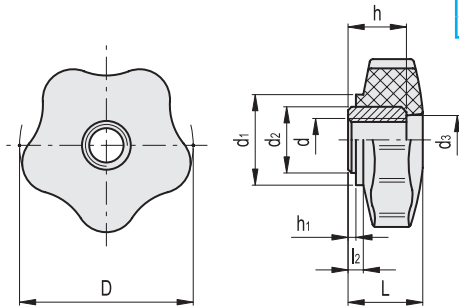
STANDARD EXECUTION

Black-oxide steel boss, threaded pass-through hole.



ELESA Original design

Conversion Table	
1 mm = 0.039 inch	
D	
mm	inch
40	1.57
50	1.97
60	2.36
70	2.76
85	3.35



METRIC

Code	Description	D	d6H	L	d1	d2	d3	l2	h	h1	△
66951	VC.253/40 A-M8	40	M8	19	23	17	14	3	15	1.5	38
67001	VC.253/40 A-M10	40	M10	19	23	17	14	3	15	1.5	34
67011	VC.253/40 A-M12	40	M12	19	23	17	14	3	15	1.5	30
67101	VC.253/50 A-M12	50	M12	21	26	19	14	3	16	1.5	50
67201	VC.253/60 A-M12	60	M12	24	30	19	16	4	16	1.5	75
67301	VC.253/85 A-M14	85	M14	30	32	18	18	6	22	1.5	135

Clamping knobs